

**BoomGate**<sup>®</sup>  
**Systems** (PTY) LTD  
Reg.No. 98/23505/07 Engineering Access Control



# MAGNA LOCKS



## MARKET LEADER

- Most versatile magnetic locks on the market.
- Boomgate Systems offer a wide range of options to compliment any prestige installation.
- Exported worldwide.



### MODELS:

- Model 12V 300 S
- Model 12V 300 F
- Model 12V 500 S
- Model 12V 500 F
- Mounting Bracket
- Z-Bracket



### ABBREVIATIONS:

- S = Side Mount
- F = Front Mount
- U = Universal Mount (Side & Front Mount)
- 300 = 300kg
- 500 = 500kg
- 12V = 12 Volt DC










### FEATURES:

- Easy Installation
- Robust, solid construction
- Made to suit harsh environment outdoor uses
- Esthetical, brushed stainless steel finish
- Engineered to fit all doors
- Low energy consumption
- 100% duty cycle
- Virtually no maintenance
- Locks and brackets can be custom made to suit client
- Door status sensing throughout the range of locks
- Cost effective (high security solution)





## MAGNETIC LOCKS & ACCESSORIES:

	12V-300-F/S	<b>SLIMLINE FRONT MOUNT MAGNETIC LOCK 12V</b> 300kg with wire exiting the box on the side. Lock Size: 219mm(l) x 49mm(w) x 29mm(h) Striker Plate Size: 219mm(l) x 49mm(w) x 12mm(h) Current: 480 ma (MAX) at 12V DC Door Sensing Contact rated at 12V DC 1 amp
	12V-300-F/B	<b>SLIMLINE FRONT MOUNT MAGNETIC LOCK 12V</b> 300kg with wire exiting the box at the back. Lock Size: 219mm(l) x 49mm(w) x 29mm(h) Striker Plate Size: 219mm(l) x 49mm(w) x 12mm(h) Current: 480 ma (MAX) at 12V DC Door Sensing Contact rated at 12V DC 1 amp
	12V-300-S	<b>SLIMLINE SIDE MOUNT MAGNETIC LOCK 12V</b> 300kg Lock Size: 219mm(l) x 49mm(w) x 29mm(h) Striker Plate Size: 219mm(l) x 49mm(w) x 12mm(h) Current: 480 ma (MAX) at 12V DC Door Sensing Contact rated at 12V DC 1 amp
	12V-300-U	<b>SLIMLINE UNIVERSAL MOUNT MAGNETIC LOCK 12V</b> 300kg Note: This lock can be either mounted as side or front. It is important to select the appropriate bracket for mounting, or alternatively take both to site. Remember, if the universal lock is to be front mounted, a "Z" bracket will be required. Lock Size: 219mm(l) x 49mm(w) x 29mm(h) Striker Plate Size: 219mm(l) x 49mm(w) x 12mm(h) Current: 480 ma (MAX) at 12V DC Door Sensing Contact rated at 12V DC 1 amp
	12V-500-F/S	<b>HEAVY DUTY FRONT MOUNT MAGNETIC LOCK 12V</b> 500kg with wire exiting the box on the side. Lock Size: 219mm(l) x 75mm(w) x 45mm(h) Striker Plate Size: 219mm(l) x 75mm(w) x 10mm(h) Current: 260 ma (MAX) at 12V DC Door Sensing Contact rated at 12V DC 1 amp
	12V-500-F/B	<b>HEAVY DUTY FRONT MOUNT MAGNETIC LOCK 12V</b> 500kg with wire exiting the box at the back. Lock Size: 219mm(l) x 75mm(w) x 45mm(h) Striker Plate Size: 219mm(l) x 75mm(w) x 10mm(h) Current: 260 ma at 12V DC Door Sensing Contact rated at 12V DC 1 amp
	12V-500-S	<b>HEAVY DUTY SIDE MOUNT MAGNETIC LOCK 12V</b> 500kg Lock Size: 219mm(l) x 75mm(w) x 45mm(h) Striker Plate Size: 219mm(l) x 75mm(w) x 10mm(h) Current: 260 ma at 12V DC Door Sensing Contact rated at 12V DC 1 amp



## MAGNETIC LOCKS & ACCESSORIES:

	12V-40-S	<p><b>FIRE MAGNETIC LOCK SIDE MOUNT 24V</b> Used for holding open fire doors. complete with operating indication (red led) and a release push button. Lock Size: 110mm(l) x 48mm(w) x 30mm(h) Striker Plate Size: 110mm(l) x 48mm(w) x 10mm(h) Current: 92 ma at 24v DC Door Sensing Contact rated at 12V DC 1 amp</p>
	12V-200-M-SS37	<p><b>MORTICE MAGNETIC LOCK 12V</b> 200kg holding power. Power the lock comes with brackets on the side to allow a flush installation in an aluminium transam door. Sensing contact rated at 12V DC 1 amp. Lock Size: 200mm(l) x 37mm(w) x 28mm(h) Striker Plate Size: 170mm(l) x 37mm(w) x 11mm(h) Current: 450 ma at 12V DC</p>
	12V-300-M-SS37	<p><b>MORTICE MAGNETIC LOCK 12V</b> 300kg holding power. The lock comes with brackets on the side to allow a flush installation in an aluminium transam door. Lock Size: 270mm(l) x 37mm(w) x 38mm(h) Striker Plate Size: 170mm(l) x 37mm(w) x 11mm(h) Current: 460 ma at 12V DC</p>
	12V-300-M-SHEAR	<p><b>SHEAR MAGNETIC LOCK 12V</b> <b>In Excess of 300kg holding power.</b> The lock comes with brackets on the side to allow a flush installation in an aluminium transam door. Sensing contact rated at 12V DC 1 amp. Lock Size: 200mm(l) x 32mm(w) x 28mm(h) Striker Plate Assembly Size: 220mm(l) x 35mm(w) x 10mm(h) Current: 450 ma at 12V DC</p>
	12V-140-S-BEL	<p><b>BELL MAGNETIC LOCK 12V</b> 140kg holding power. The lock comes with a quick mount bracket. Lock Size: 170mm(l) x 33mm(w) x 22mm(h) Striker Plate Size: 130mm(l) x 33mm(w) x 11mm(h) Current: 350 ma at 12V DC Door Sensing Contact rated at 12V DC 1 amp <b>THESE PRICES ARE SUBJECT TO THE CURRENT EXCHANGE RATE AND ARE SUBJECT TO CHANGE WITHOUT NOTICE.</b></p>
	12V-270-S-BEL	<p><b>BELL MAGNETIC LOCK 12V</b> 270kg holding power. The lock comes with a quick mount bracket. Lock Size: 250mm(l) x 42mm(w) x 26,5mm(h) Striker Plate Size: 180mm(l) x 38mm(w) x 11mm(h) Current: 450 ma at 12V DC <b>THESE PRICES ARE SUBJECT TO THE CURRENT EXCHANGE RATE AND ARE SUBJECT TO CHANGE WITHOUT NOTICE.</b></p>
	QMFMB-300	<p><b>QUICK MOUNT FRONT MOUNT BRACKET FOR 300KG FRONT MOUNT MAGNETIC LOCK</b> Note: This bracket may also be used on the Slimline Universal Magnetic Lock when used in the front mount position. Dimensions: 219mm x 48mm x 6mm Flat Bar</p>



## MAGNETIC LOCKS & ACCESSORIES:

	QMFB-300 F/B	<b>QUICK MOUNT FRONT MOUNT BRACKET FOR 300KG FRONT MOUNT MAGNETIC LOCK</b> Note: This bracket is specifically drilled open to fit a 12V-300F/B magnetic lock when used in the front mount position, with the connecting cable penetrating at the back of the lock. Dimensions: 219mm x 48mm x 6mm Flat Bar
	QMFB-500	<b>QUICK MOUNT FRONT MOUNT BRACKET FOR 500KG FRONT MOUNT MAGNETIC LOCK</b> Dimensions: 218mm x 75mm x 7,6mm Flat Bar
	QB-40	<b>QUICK MOUNT SIDE MOUNT BRACKET FOR 40KG FIRE MAGNETIC LOCK</b> Dimensions: 110mm x 25,4mm x 9,8mm Flat Bar
	QB-300	<b>QUICK MOUNT FRONT MOUNT BRACKET FOR 300KG SIDE MOUNT MAGNETIC LOCK</b> Note: This bracket may also be used on the Slimline Universal Magnetic Lock for either side or front mount applications. Dimensions: 219mm x 25,4mm x 9,8mm Flat Bar
	QB-500	<b>QUICK MOUNT SIDE MOUNT BRACKET FOR 500KG SIDE MOUNT MAGNETIC LOCK</b> Dimensions: 219mm x 45mm x 9,8mm Flat Bar
	EQMB-300	<b>EXTENDED QUICK MOUNT BRACKET TO MOUNT A SLIMLINE SIDE MOUNT MAGNETIC LOCK</b> Note: This bracket may also be used to mount a Slimline Universal 300kg Magnetic Lock. This bracket is a real time saver and enhances the aesthetical look of the installation. <b><i>It is a great alternative to the old angle and L bracket.</i></b> Dimensions: 219mm x 36,7mm x 6mm Flat Bar
	DWFMB-300	<b>DRY WALL FRONT MOUNT BRACKET</b> To mount a slimline front mount magnetic lock on a door installed in a drywall (partition wall). Dimensions: 219mm x 48mm x 6mm Flat Bar



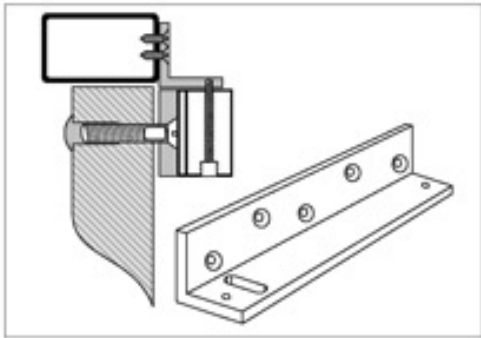
## MAGNETIC LOCKS & ACCESSORIES:

	ZB-300	<b>"Z" BRACKET FOR A 300KG FRONT MOUNT MAGNETIC LOCK</b> Note: This bracket may also be used where a Slimline Universal 300kg is used in a front mount position. Dimensions: Two pieces of 219mm x 50mm x 50mm angle joined together with an adjustable mechanism.
	ZB-500	<b>"Z" BRACKET FOR A 500KG FRONT MOUNT MAGNETIC LOCK</b> Dimensions: Two pieces of 219mm x 76,5mm x 60mm angle joined together with an adjustable mechanism.
	SB-300	<b>SPACER BRACKET FOR SLIMLINE SIDE MOUNT MAGNETIC LOCK 300KG</b> Dimensions: 219mm x 25,4mm x 9,8mm Flat Bar.
	AB-300	<b>ANGLE BRACKET FOR SLIMLINE SIDE MOUNT MAGNETIC LOCK 300KG</b> Dimensions: 219mm x 38mm x 38mm Angle.
	LB-300	<b>"L" BRACKET FOR SLIMLINE SIDE MOUNT MAGNETIC LOCK 300KG</b> Dimensions: 219mm x 25,4mm x 38mm Angle.
	LZB-140	<b>"L Z " BRACKET FOR BELL 140 SIDE MOUNT MAGNETIC LOCK</b> <b>THESE PRICES ARE SUBJECT TO THE CURRENT EXCHANGE RATE AND ARE SUBJECT TO CHANGE WITHOUT NOTICE.</b>
	LZB-270	<b>"L Z " BRACKET FOR BELL 270 SIDE MOUNT MAGNETIC LOCK</b> <b>THESE PRICES ARE SUBJECT TO THE CURRENT EXCHANGE RATE AND ARE SUBJECT TO CHANGE WITHOUT NOTICE.</b>

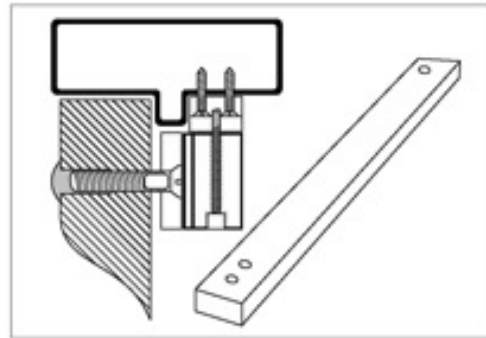


## MOUNTING ACCESSORIES:

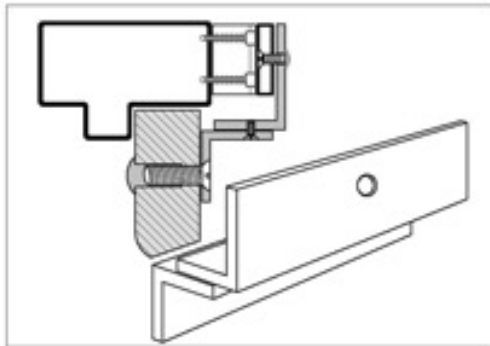
**ANGLE BRACKET MODEL: AB-300**



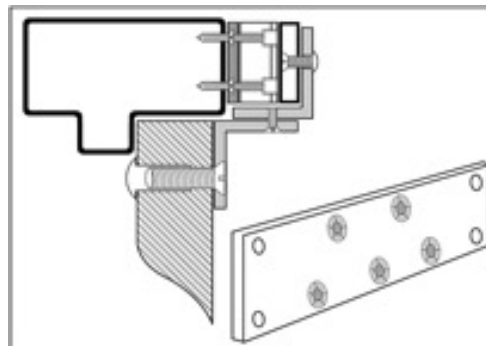
**SPACER BRACKET MODEL: SB-300  
WITH QUICK MOUNT MODEL: QB-300**



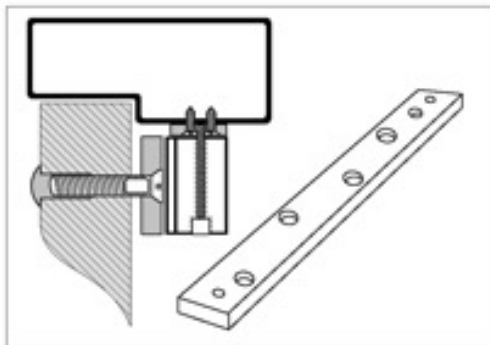
**Z BRACKET MODEL: ZB-300**



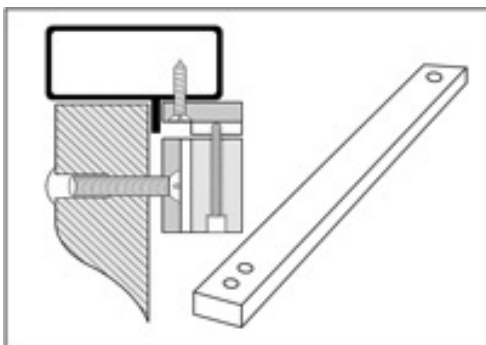
**FRONT MOUNT QUICK MOUNT MODEL: QMFMB-300  
WITH ZB-300**



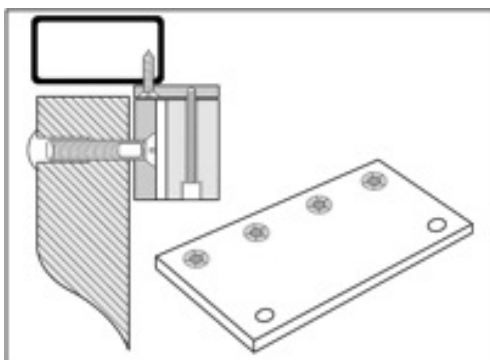
**QUICK MOUNT MODEL: QB-300**



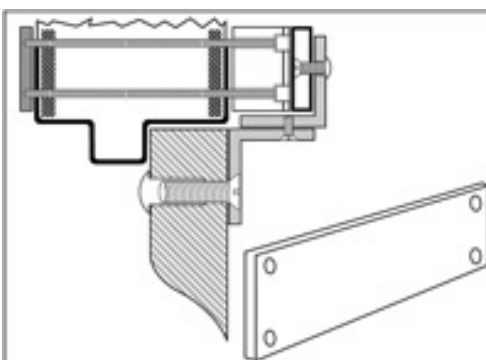
**SPACER MODEL: SB-300 WITH EXTENDED  
QUICK MOUNT MODEL: EQMB-300**



**EXTENDED QUICK MOUNT MODEL: EQMB-300**



**DRYWALL MODEL: DWFMB-300  
WITH ZB-300**



**BoomGate**<sup>®</sup>  
**Systems** (PTY) LTD  
Reg.No. 98/23505/07 Engineering Access Control



**JOHANNESBURG BRANCH:**

**Tel:** +27 11 674 4441

**Fax:** +27 11 674 4450

**Email:** boomgate@global.co.za

18 Minerva Avenue, Leaglen,

Florida, Roodepoort,

SOUTH AFRICA

**CAPE TOWN BRANCH:**

**Tel:** +27 21 551 0849

**Fax:** +27 21 551 8627

**Email:** salescf2@boomgatesystems.

co.za

Unit 2 Crest Park, 12B Longclaw Drive,

Montague Gardens, Cape Town,

SOUTH AFRICA

[www.boomgatesystems.co.za](http://www.boomgatesystems.co.za)

**Manufacturers & Suppliers of:**

- Traffic Barriers • High Security Spike Barriers • Road Blockers • Turnstiles • Security Booths • Pedestrian Barriers • Paraplegic Gates • Speed Gates
- Bollards • Goosenecks • Magnetic Locks • Metal Enclosures • Rubber Islands